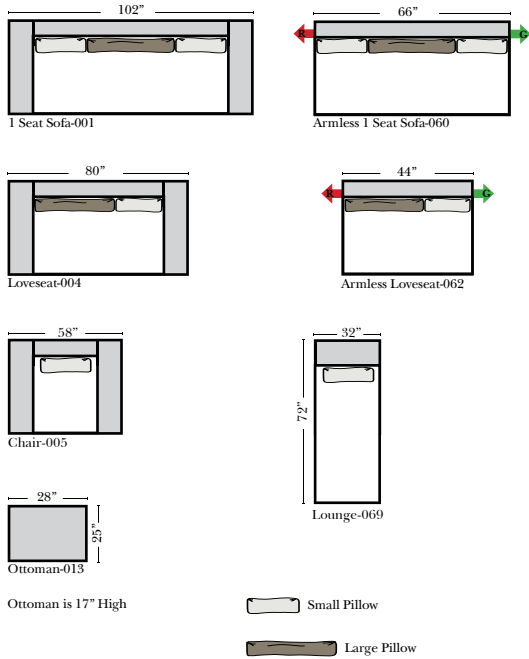


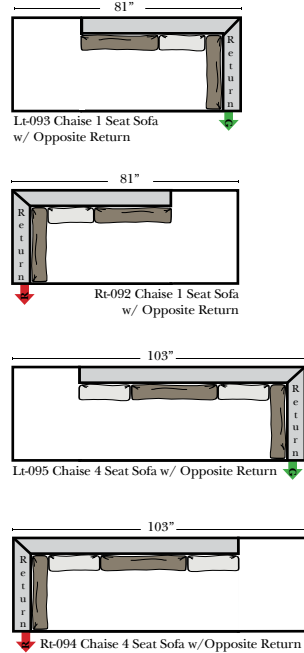
### Standard, Armless & Ottomans

Put Green Arrows with Red Arrows to Create Sectional Groups

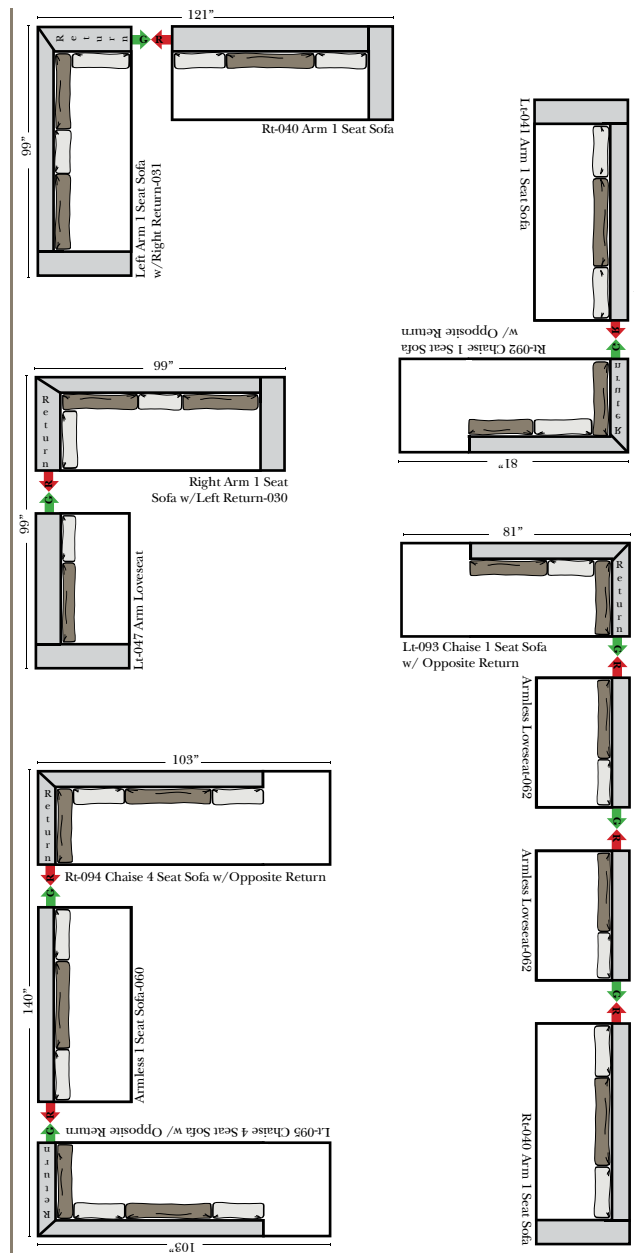


### Return Chaise

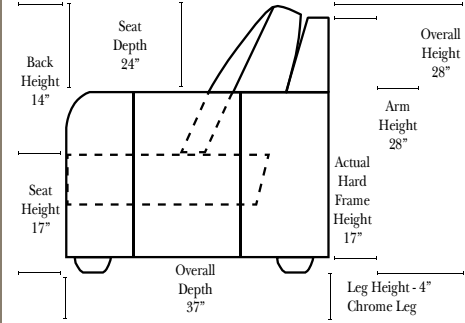
Green Arrows with Red Arrows to mix with some of the L-Shaped pieces.



### Suggested Configurations



07/06/2012



### Features

#### Standard:

- Available in Full & Top Grain Leathers
- Available in Luxury Fabrics
- All Hardwood Frames
- Toss Pillows

#### Options:

- No. 33 Firm Foam

**Sleeper Options:** (No Sleepers are available for this style)

### Note:

All Dimensions are approximate, if accuracy is crucial, please contact us for validation of the dimensions shown. However, a 1" to 2" variance can still apply due to foam and upholstery.

### L-Shape / 90 Degree Sectional

Put Green Arrows with Red Arrows to Create Sectional Groups

