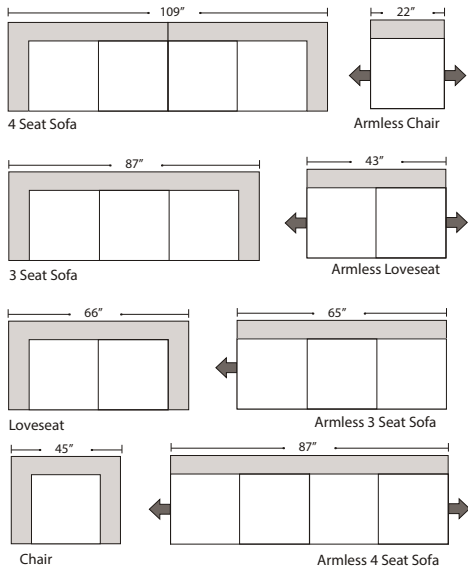
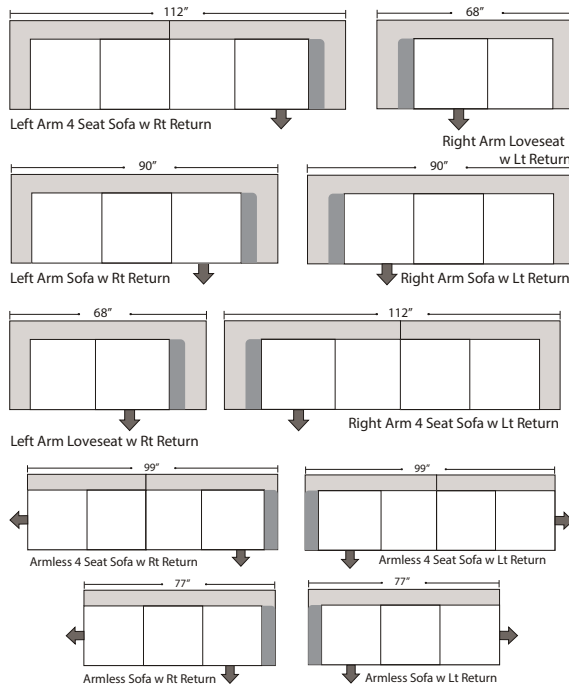


Personalizing Comfort

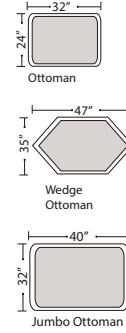
Standard



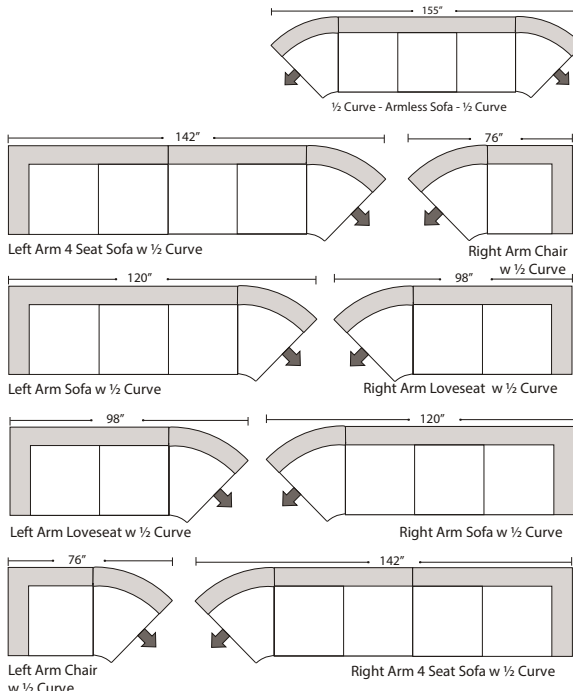
Return



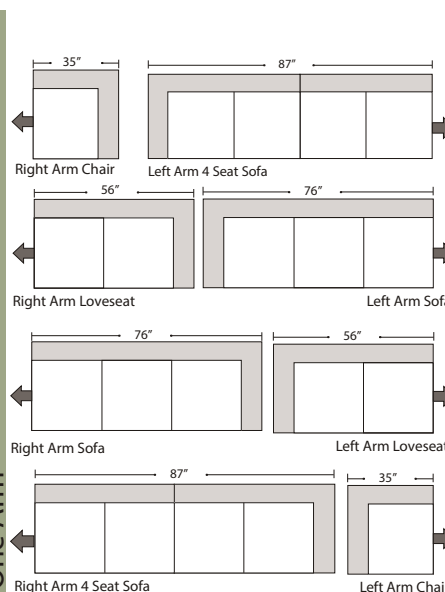
ottomans



1/2 Curve



One Arm



07/06/2012

Features

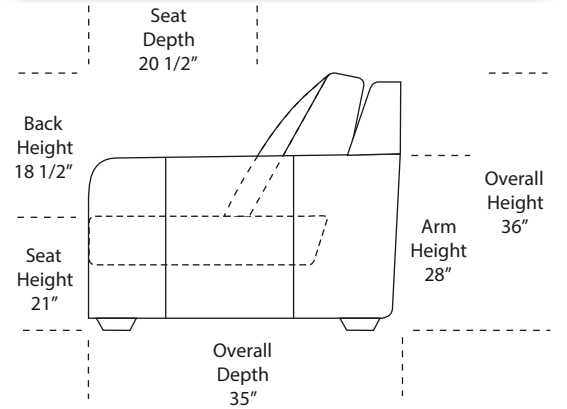
Standard:

- All Full or Top-Grain Leather
- All hardwood frames

Options:

- Down Pillow Tops (Additional Charges Apply)
- No. 33 Firm Seating

Special orders shipped within 4-6 weeks



Note: All sizes are approximate.



Suggested Configurations

