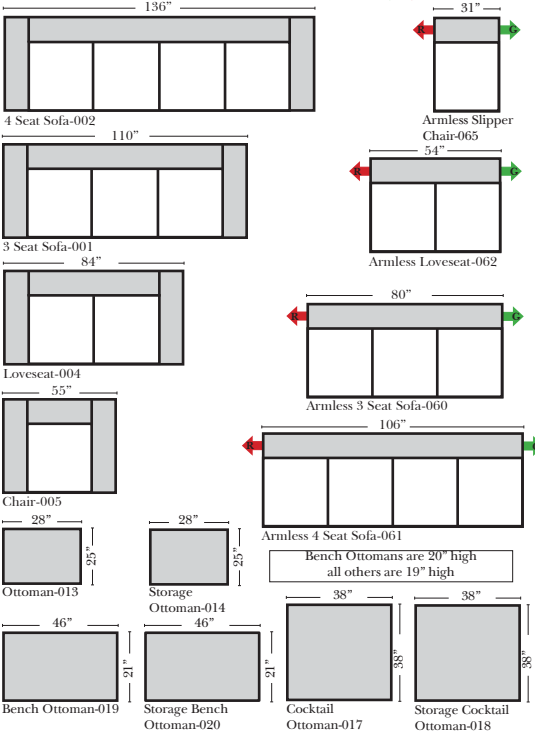


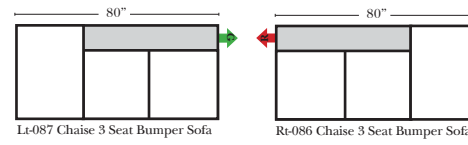
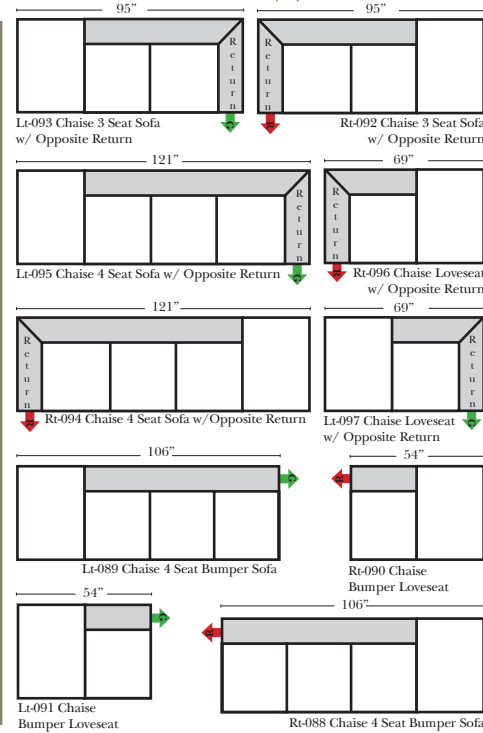
**Standard, Armless & Ottomans**

Put Green Arrows with Red Arrows to Create Sectional Groups

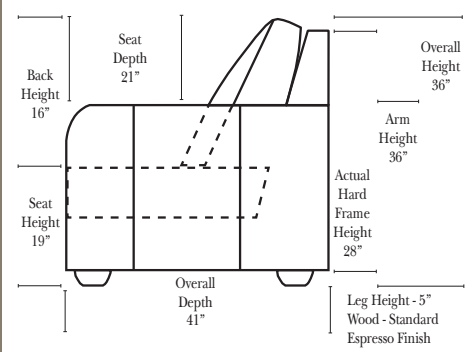
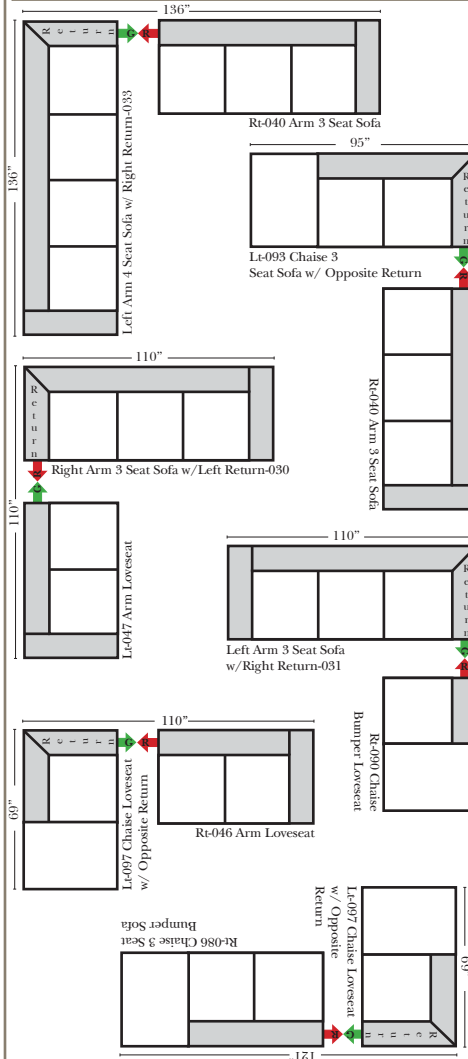


**Bumper Chaise & Return Chaise**

Green Arrows with Red Arrows to mix with some of the L-Shaped pieces.



**Suggested Configurations**



**Features**

- Standard:**
- Available in Full & Top Grain Leathers
  - Available in Luxury Fabrics
  - All Hardwood Frames
  - Nail Heads on seat panel, and front arm panels
  - Wood Base - Espresso Finish (N/C Honey Oak Option)
- Options:**
- Down Seats & Down Backs (additional Charge)
  - No. 33 Firm Foam

**Sleeper Options:** (No Sleepers are available for this style)

**Note:**

All Dimensions are approximate, if accuracy is crucial, please contact us for validation of the dimensions shown. However, a 1" to 2" variance can still apply due to foam and upholstery.

**L-Shape / 90 Degree Sectional** (All 4 seat items ship as one piece if stationary, two pieces if motion installed)

Put Green Arrows with Red Arrows to Create Sectional Groups

