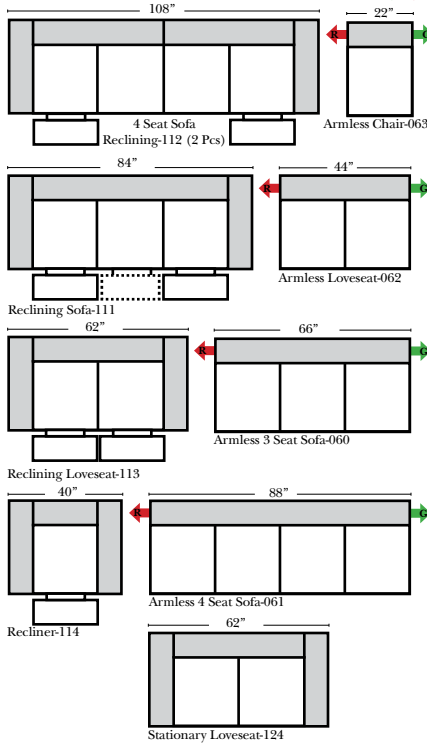


## Standard & Armless

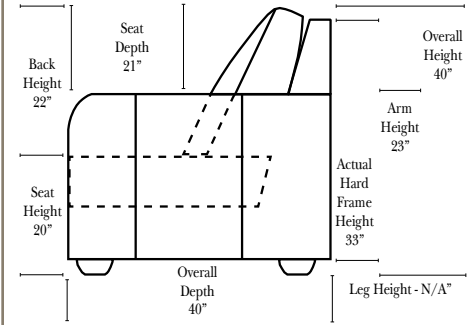
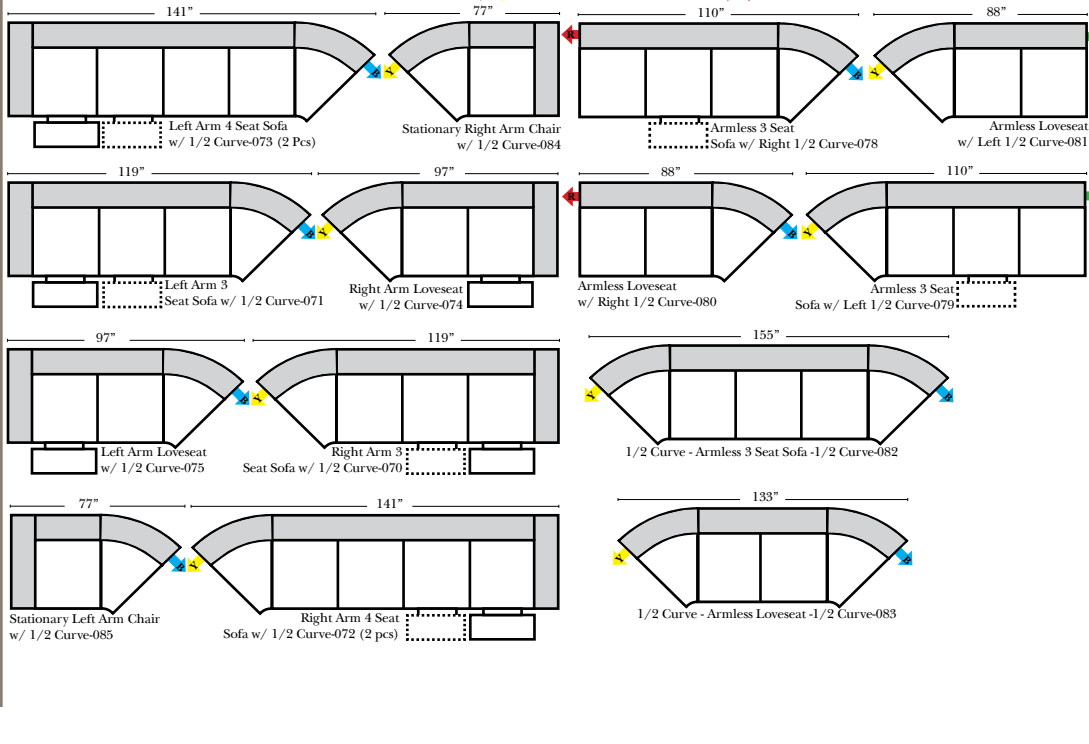
(All 4 seat items ship as one piece if stationary, two pieces if motion installed)

Put Green Arrows with Red Arrows to Create Sectional Groups



## 2 Piece Curve Sectional & Ottomans

Put Blue Arrows with Yellow Arrows to Create Sectional Groups or Green Arrows with Red Arrows mix with some of the L-Shaped pieces.



### Features

#### Standard:

- Available in Full & Top Grain Leathers
  - Available in Luxury Fabrics
  - All Hardwood Frames
  - Nail Heads
- #### Options:
- No. 33 Firm Foam (N/C Option)
  - Console Table - Standard as Espresso finish (N/C Option is Honey Oak finish)
  - Cup Holders - Standard as Silver finish (N/C Option is Black or Hammered Antique Finish)
  - Sofa Center Recliner (Additional Charge)
  - Motorized Recliner Mechanism (additional Charge)
  - Swivel Recliner Base (additional Charge)
  - Swivel Glider Mechanism (additional Charge)
  - Lift Chair Dual Motor Mechanism (additional Charge)

#### Sleeper Options:

- (All the below options are at additional charges)
- Full Sleeper available w/Standard Mattress
- Deluxe Innerspring Mattress: Full
- Air Dream Coil Mattress: Full Only

#### Note:

All Dimensions are approximate, if accuracy is crucial, please contact us for validation of the dimensions shown. However, a 1" to 2" variance can still apply due to foam and upholstery.

## L-Shape / 90 Degree Sectional

(All 4 seat items ship as one piece if stationary, two pieces if motion installed)

Put Green Arrows with Red Arrows to Create Sectional Groups

